

CB400YD

5G LTE Multiband Combination Antenna, 4Leads



Electrical Specifications

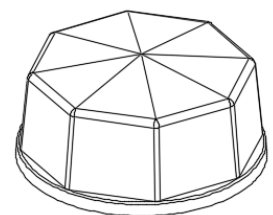
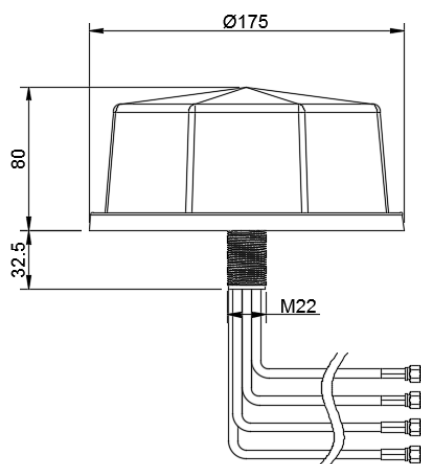
Cable Leads Number	Cable 1 - 4	
Frequency Range(MHz)	617-960	1710-3800
Peak Gain (dBi)	3	5
Isolation (dB)	>12	>18
Polarization	Vertical	Vertical
VSWR	≤2.5	≤2.0
Average Power, Maximum (W)	10	
Impedance (Ω)	50	

Mechanical Specifications

Dimensions (mm)	Φ175×80 (7" Dia. × 3.15" High)
Net Weight (kg)	1.8
Radome Material / Color	UV Stabilized ABS / Black or White
Cable Type / Length (M)	RG58 / 1
Connector Type	SMA Male (4×)

Environmental Specifications

Application	Indoor / Outdoor
Operating Temperature (°C)	-40 to +70 (-40 to 158°F)
Water Ingress Rating	IP67



Decipro Technologies Ltd., B2A Building, New Light Industrial Base, Luocun S Ave. Nanhai, Foshan, Guangdong, China 528226
Tel +86(0)757 8355 4087 Email sales@deciprotech.com Website www.deciprotech.com