

5G LTE GPS Multiband Combination Antenna, 3 Leads

Electrical Specifications

Cable Leads Number	Cable 1 - 2 (4G/5G Elements)	(WiFi Elements)	
Frequency Range(MHz)	617-960 / 1690-6000	N/A	
Gain (dBi)	617-960MHz	4	2400-2500 MHz
	1690-2700MHz	6	4900-6000 MHz
	3300-4200MHz	7	
	4900-6000MHz	8	
Isolation (dB)	>15	N/A	
Polarization	Vertical	N/A	
VSWR	≤2.5*	N/A	
Average Power, Maximum (W)	10		
Impedance (Ω)	50		

Mechanical Specifications

Dimensions (mm)	Φ146×70		
Net Weight (kg)	1.2		
Radome Material / Color	UV Stabilized ABS / Black or White		
Cable Type / Length (M)	CFD200 / 4.57 (15ft)	N/A	
Connector Type	SMA Male (2×)	N/A	

GPS/GNSS Specifications – Cable 3

Frequency Range (MHz)	1562-1612
VSWR	<2.0:1 ± 4MHz
Gain	LNA 26dB
Out of band rejection	>40dB (@ > +/- 100MHz f)
Typical Noise Figure (dB)	≤ 2.7
Notch Filter rejection @787MHz (dB)	24
Operating Voltage	3 - 5V DC
Typical Current (mA)	15
Cable Type / Length (M)	RG174 / 4.57 (15ft)
Connector Type	SMA Male (1×)

Environmental Specifications

Application	Indoor / Outdoor
Operating Temperature (°C)	-40 to +70 (-40 to 158°F)
Water Ingress Rating	IP69K

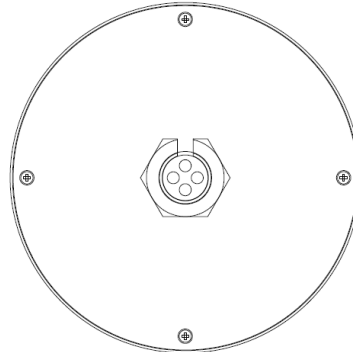
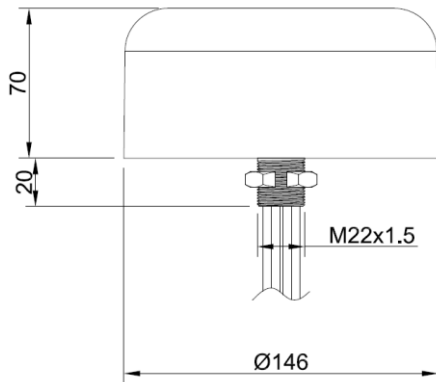
*Tested with 4.57 meters cable

Decipro Technologies Ltd., B2A Building, New Light Industrial Base, Luocun S Ave. Nanhai, Foshan, Guangdong, China 528226
 Tel +86(0)757 8355 4087 Email sales@deciprotech.com Website www.deciprotech.com

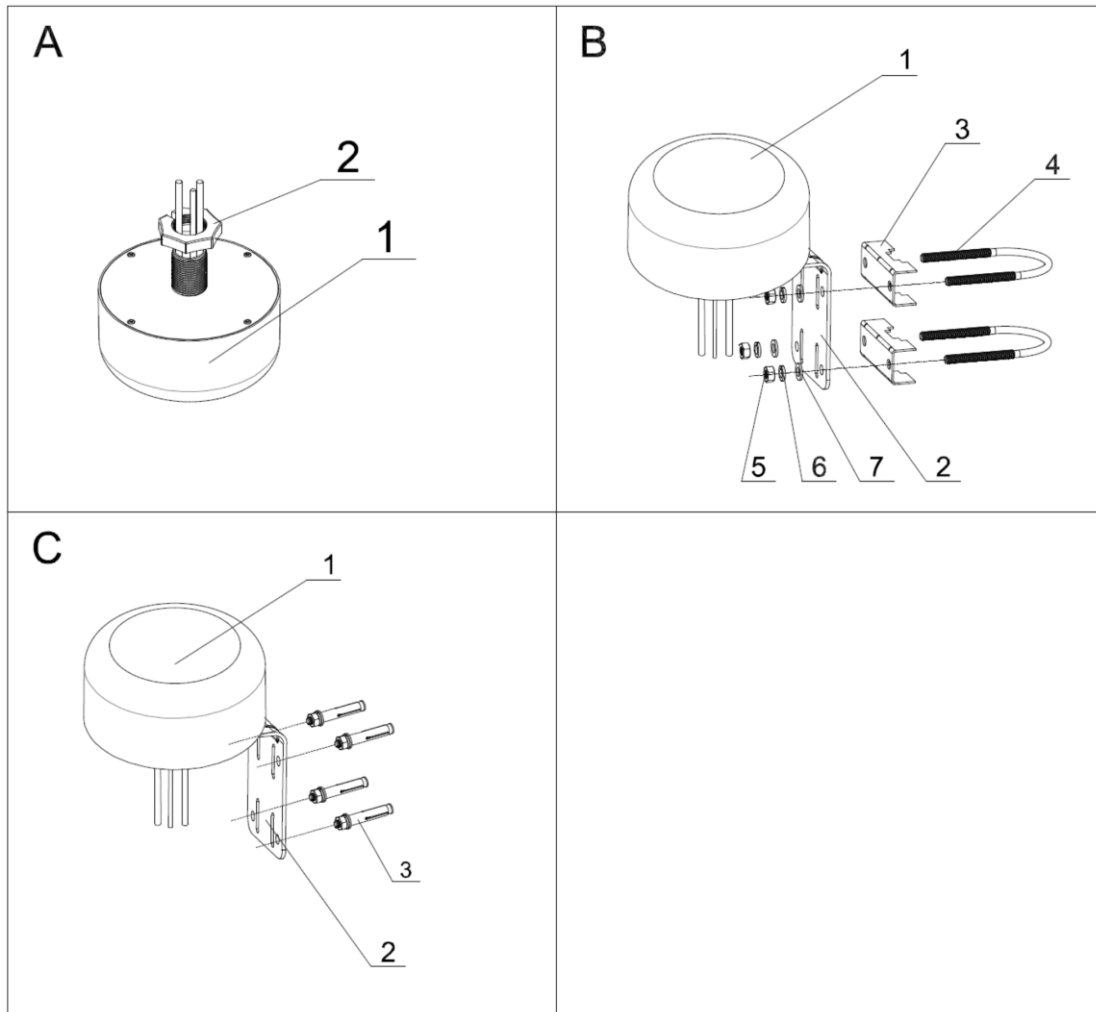
CB201JD

5G LTE GPS Multiband Combination Antenna, 3 Leads

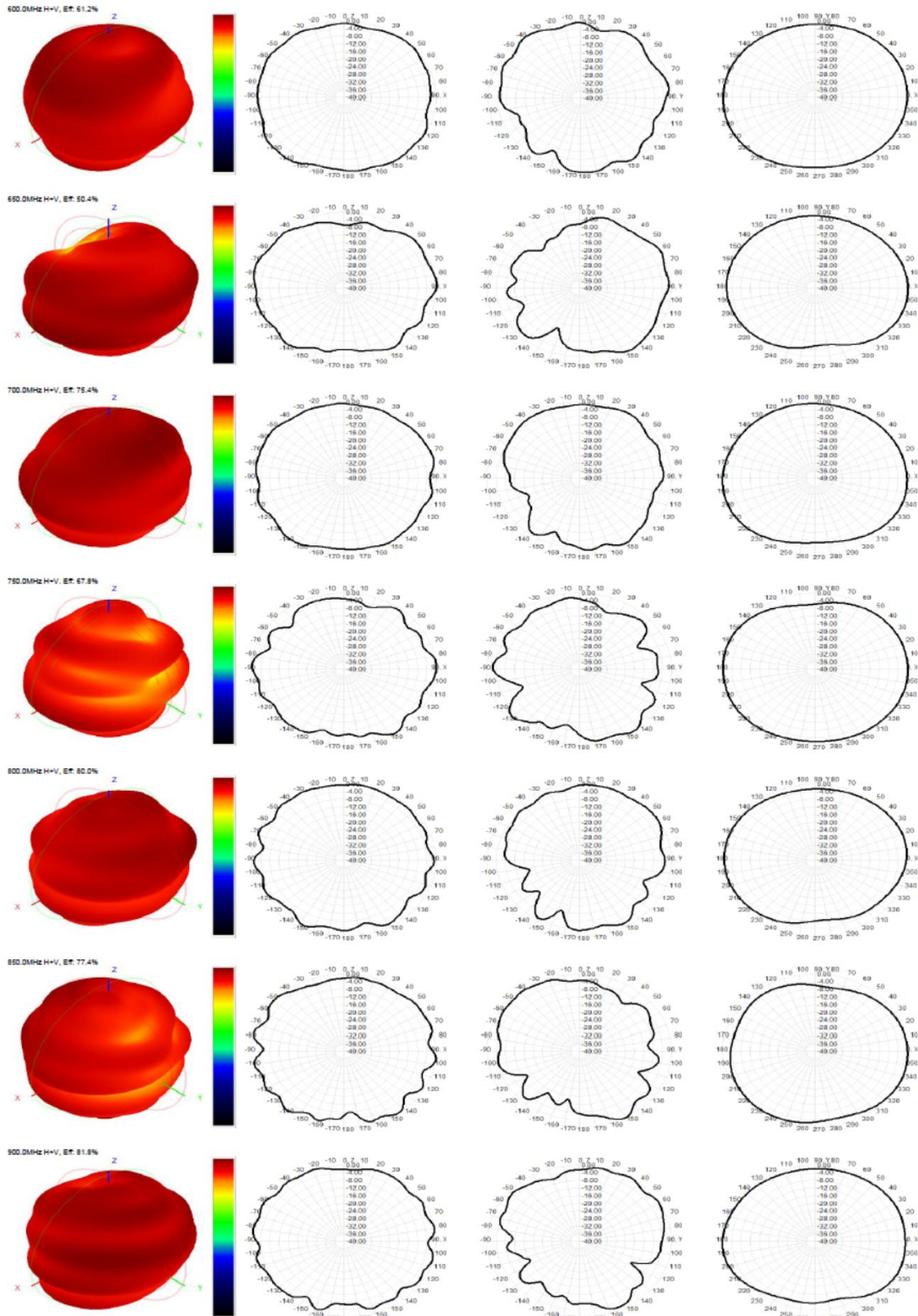
Dimensional Drawing



Installation Drawing



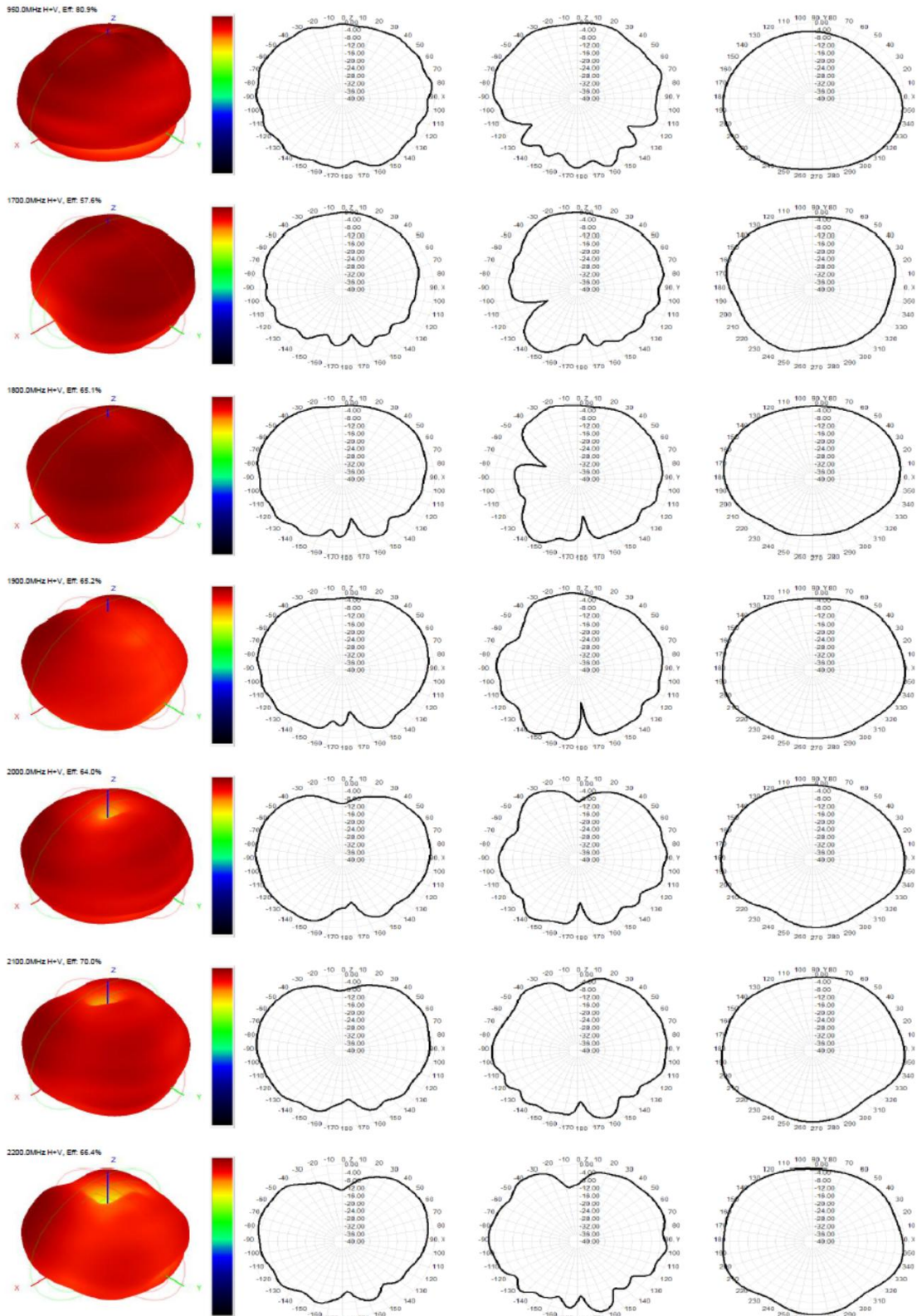
Radiation Patterns



Decipro Technologies Ltd., B2A Building, New Light Industrial Base, Luocun S Ave. Nanhai, Foshan, Guangdong, China 528226
 Tel +86(0)757 8355 4087 Email sales@deciprotech.com Website www.deciprotech.com

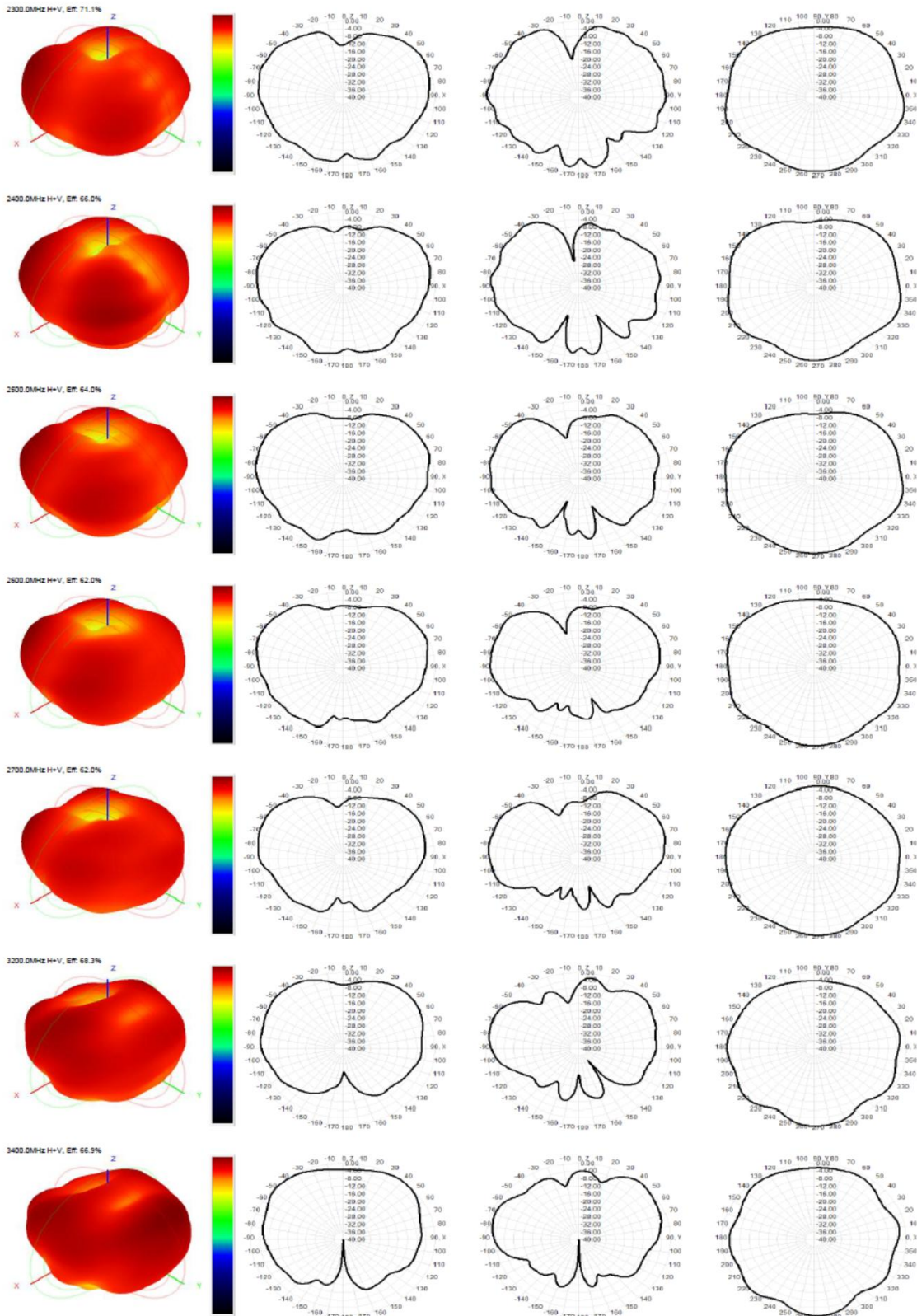
5G LTE GPS Multiband Combination Antenna, 3 Leads

Radiation Patterns



Decipro Technologies Ltd., B2A Building, New Light Industrial Base, Luocun S Ave. Nanhai, Foshan, Guangdong, China 528226
 Tel +86(0)757 8355 4087 Email sales@deciprotech.com Website www.deciprotech.com

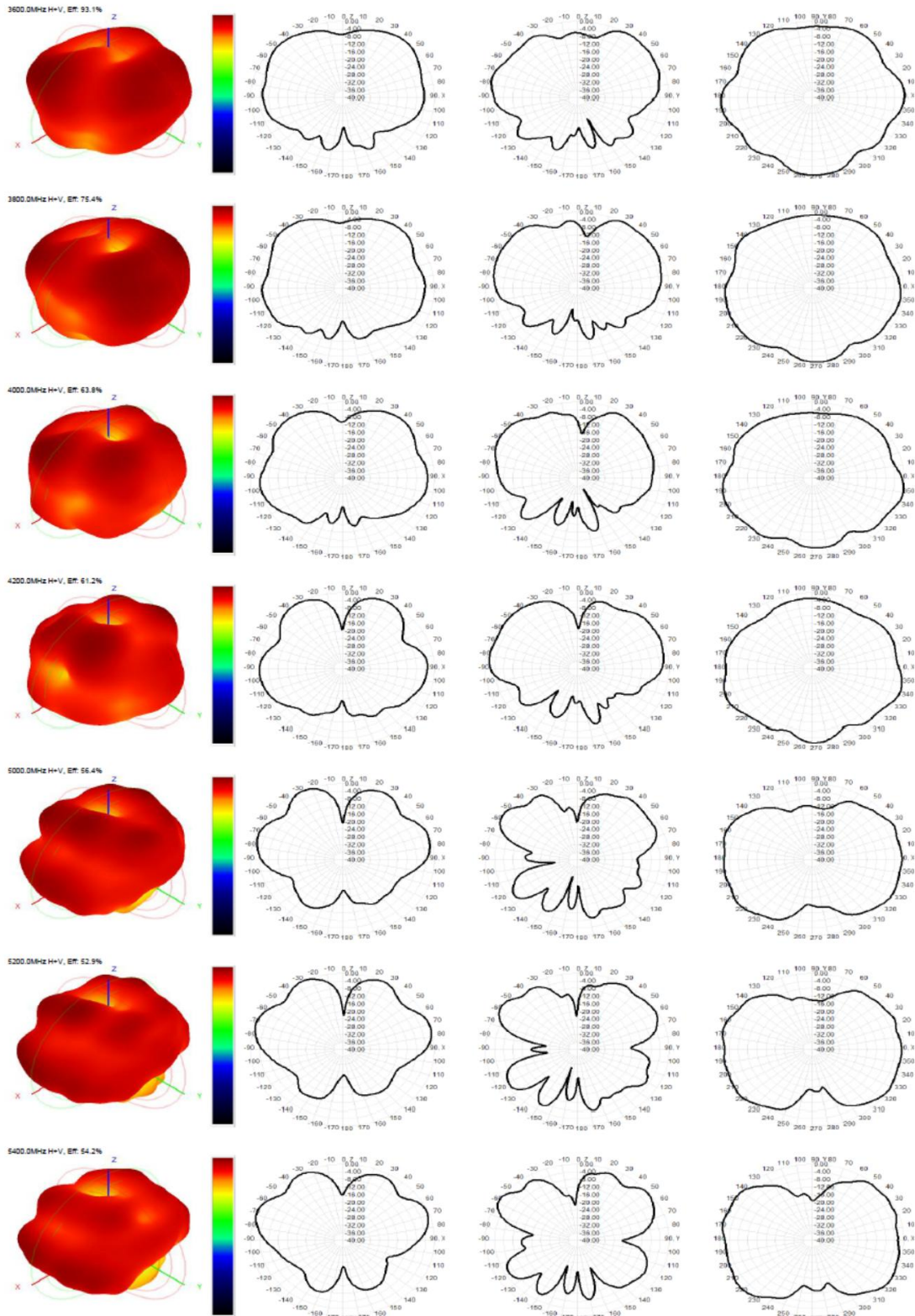
Radiation Patterns



Decipro Technologies Ltd., B2A Building, New Light Industrial Base, Luocun S Ave. Nanhai, Foshan, Guangdong, China 528226
Tel +86(0)757 8355 4087 Email sales@deciprotech.com Website www.deciprotech.com

5G LTE GPS Multiband Combination Antenna, 3 Leads

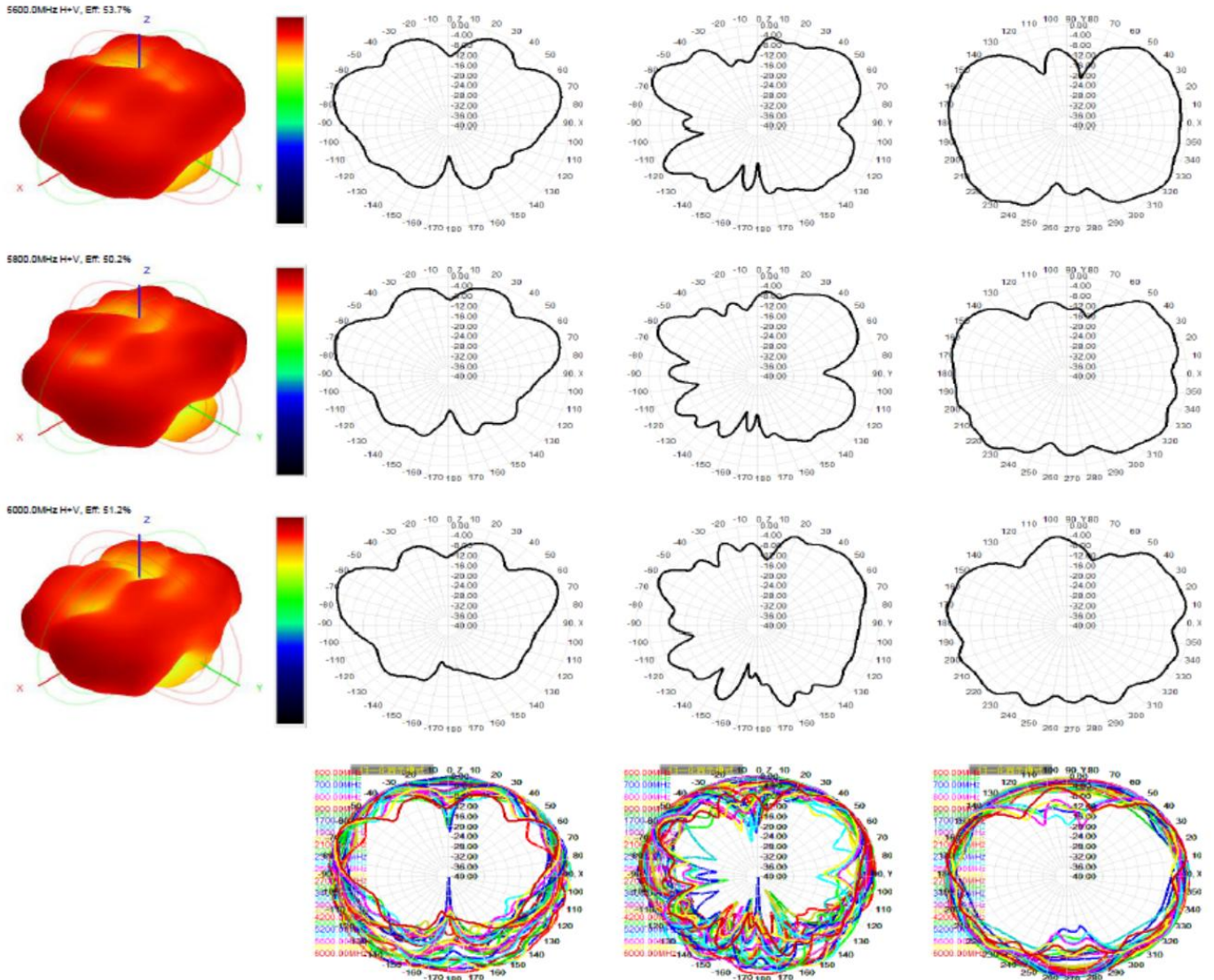
Radiation Patterns



Decipro Technologies Ltd., B2A Building, New Light Industrial Base, Luocun S Ave. Nanhai, Foshan, Guangdong, China 528226
 Tel +86(0)757 8355 4087 Email sales@deciprotech.com Website www.deciprotech.com

5G LTE GPS Multiband Combination Antenna, 3 Leads

Radiation Patterns



Decipro Technologies Ltd., B2A Building, New Light Industrial Base, Luocun S Ave. Nanhai, Foshan, Guangdong, China 528226
 Tel +86(0)757 8355 4087 Email sales@deciprotech.com Website www.deciprotech.com