

2400-2500 & 4900-5850 MHz 4 / 6dBi 6-Lead Omnidirectional Antenna, RPSMA Male

Electrical Specifications

Frequency Range (MHz)	2400-2500	4900-5850
Bandwidth (MHz)	100	950
Horizontal Half-power Beamwidth (°)	360	
Vertical Half-power Beamwidth (°)	55	35
Gain (dBi)	4	6
Polarization	Vertical	
VSWR	≤2.0	
Average Power, Maximum (W)	50	
Impedance (Ω)	50	

Mechanical Specifications

Dimensions (mm)	Φ145×70
Net Weight (kg)	0.8
Radome Material	UV Resistant ABS
Radome Color	White
Cable Type	RG58
Cable Length (CM)	92 (6×)
Connector	RPSMA Male (6×)

Environmental Specifications

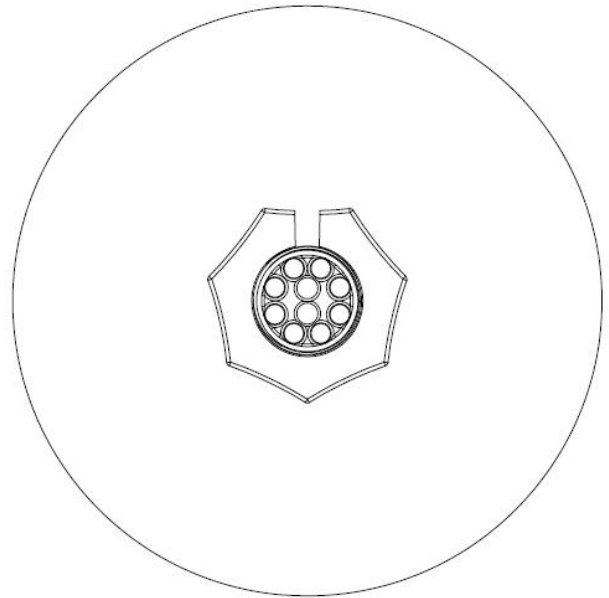
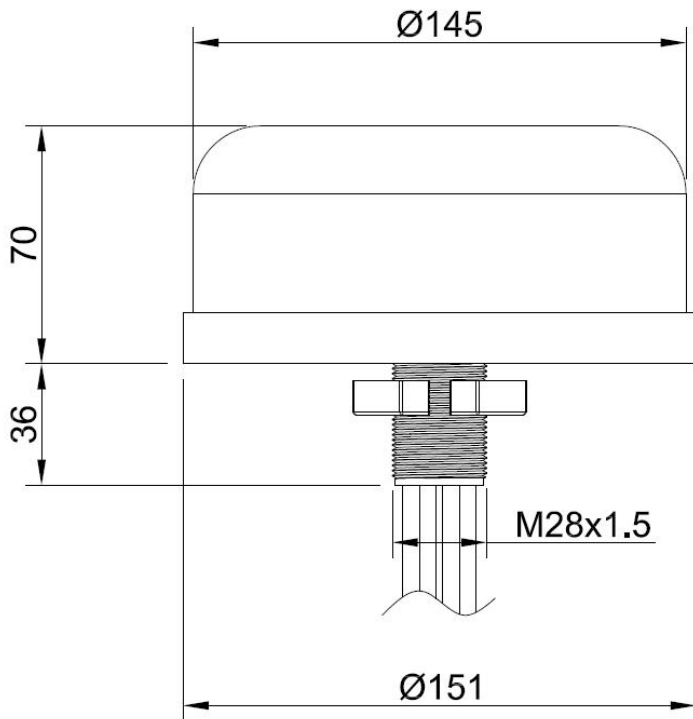
Application	Indoor / Outdoor
Operating Temperature (°C)	-40 to +70 (-40 to 158°F)
Humidity (%)	5 to 95
Survival Wind Velocity (km/h)	200

Mounting Specifications

MOUNTING BRACKETS ARE INCLUDED UNLESS OTHERWISE SPECIFIED

Mounting Style	Wall / Pole / Mast / Ceiling
Mounting Mast Diameter (mm)	Φ 40 to 50

Dimensional Drawing



Installation Drawing

